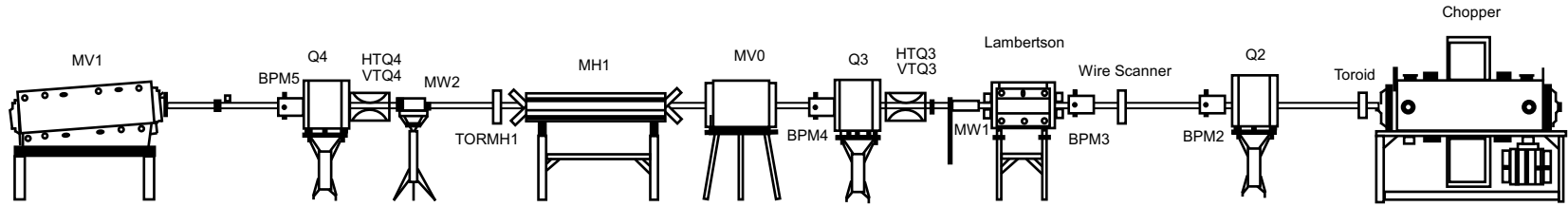
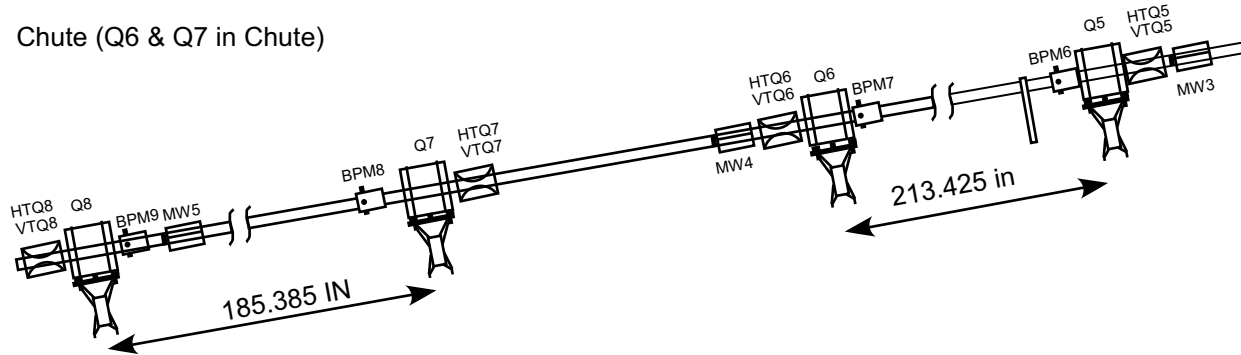


Beam  
←

Linac Enclosure



Chute (Q6 & Q7 in Chute)



Beam  
←

Booster Enclosure

